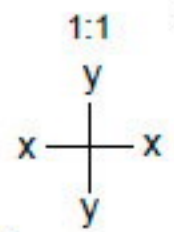
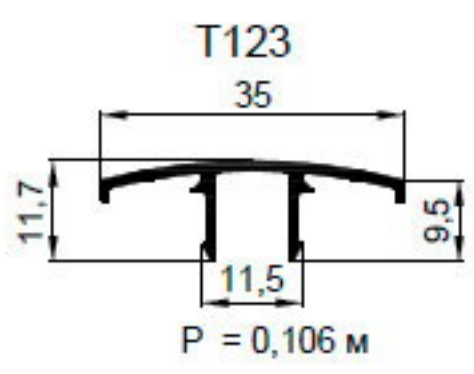
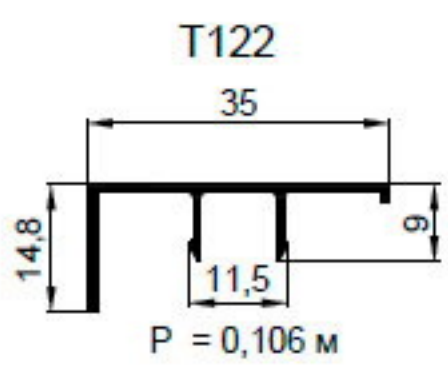
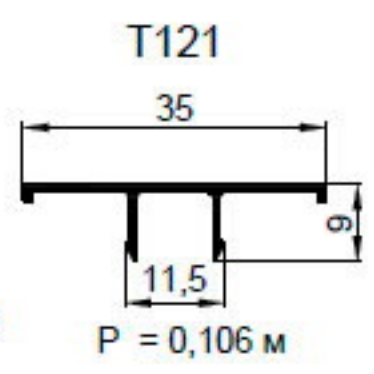
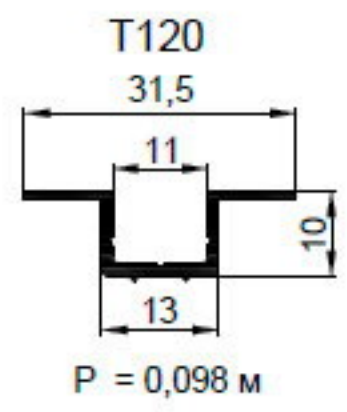
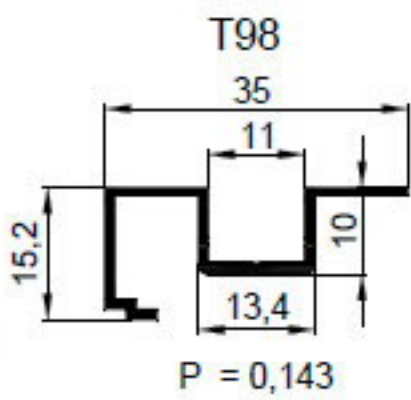
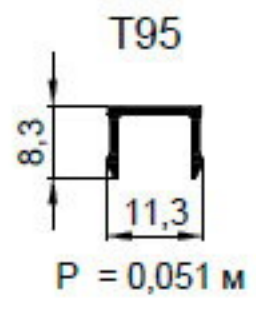
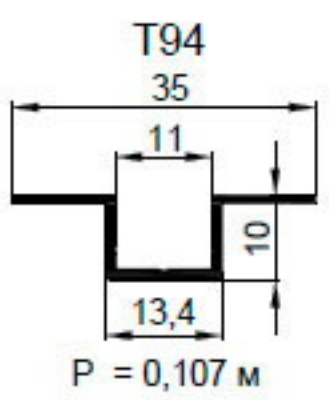
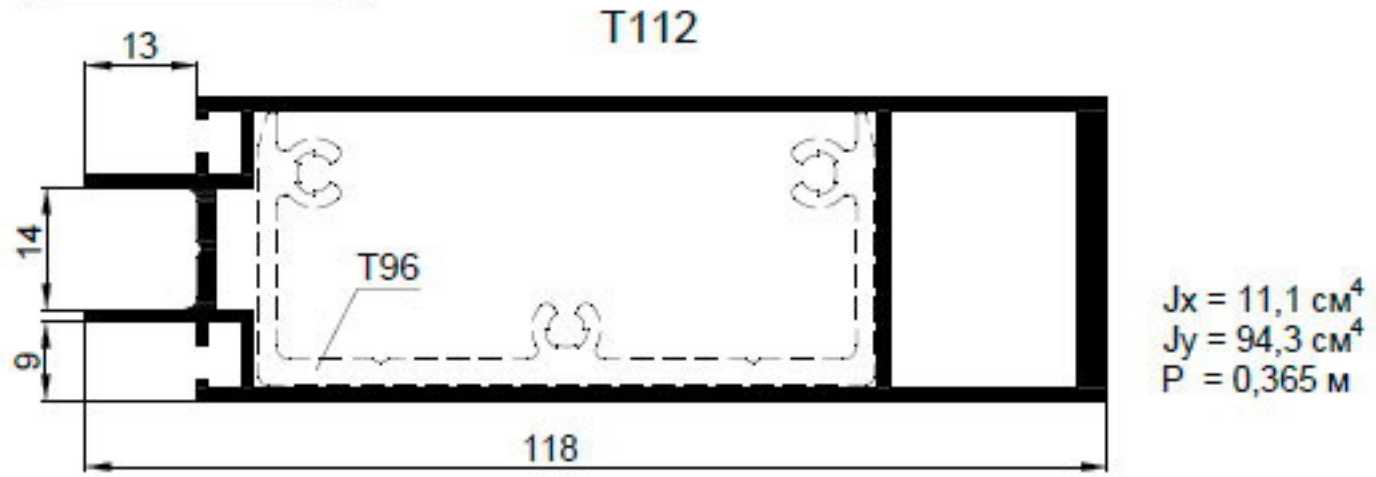
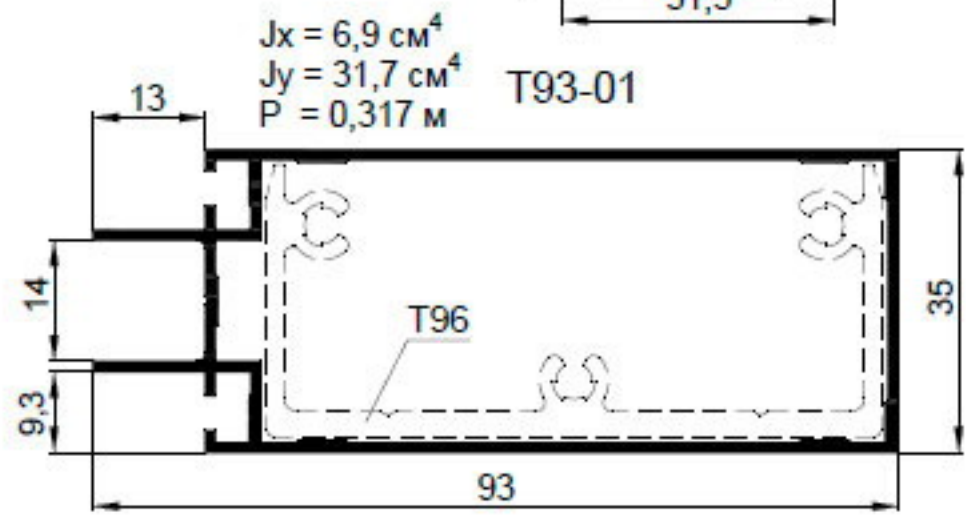
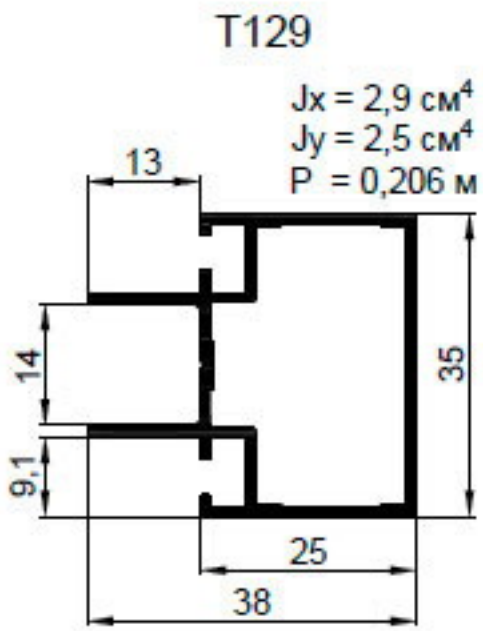
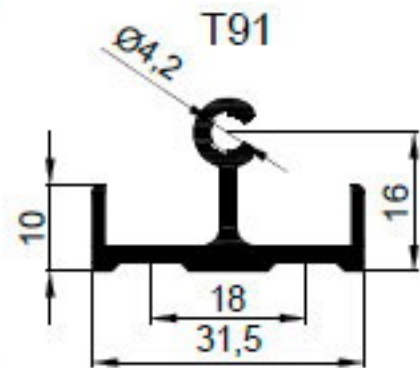
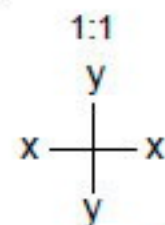
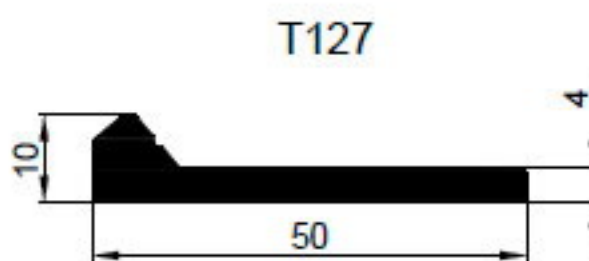
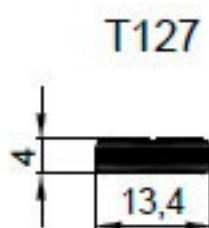
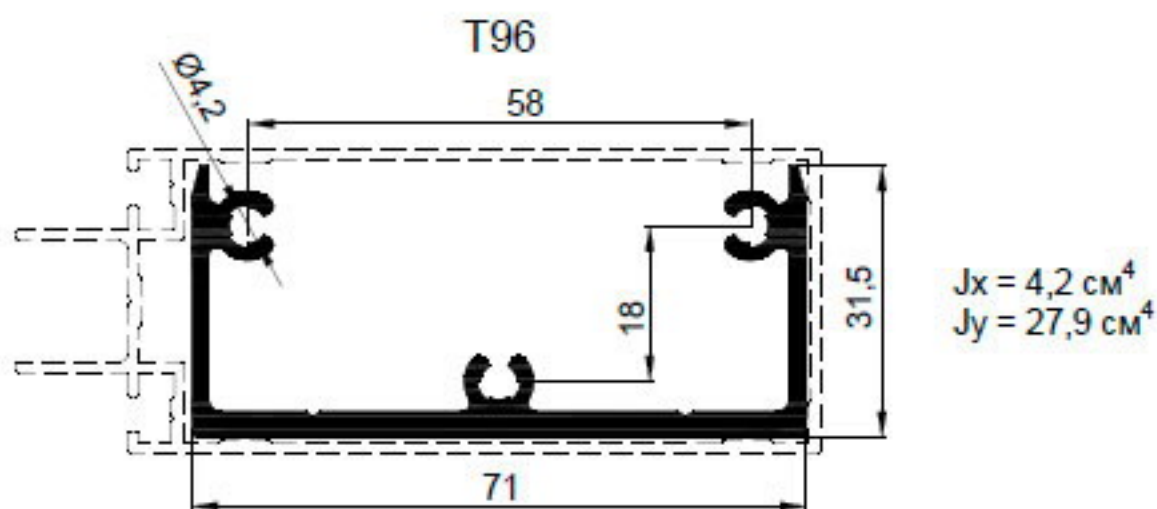
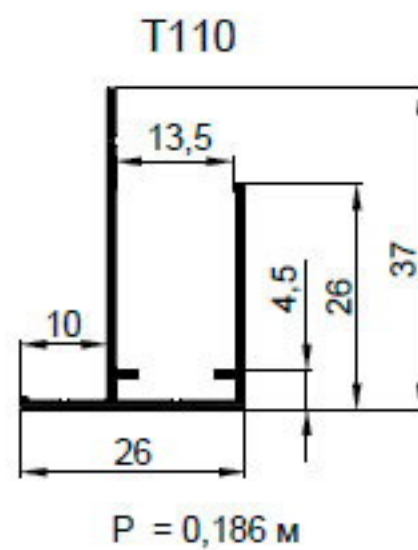
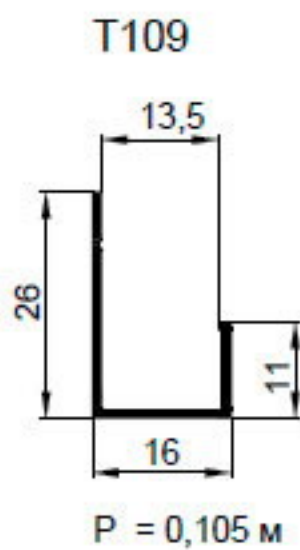
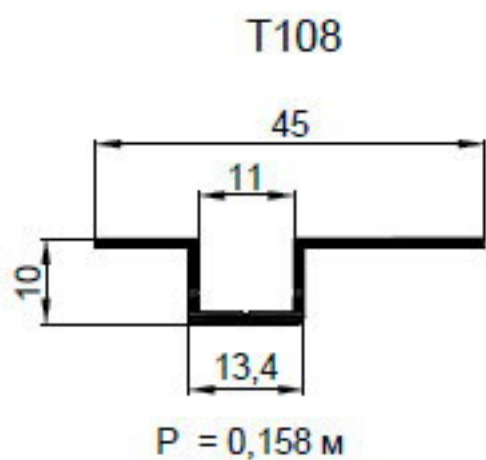
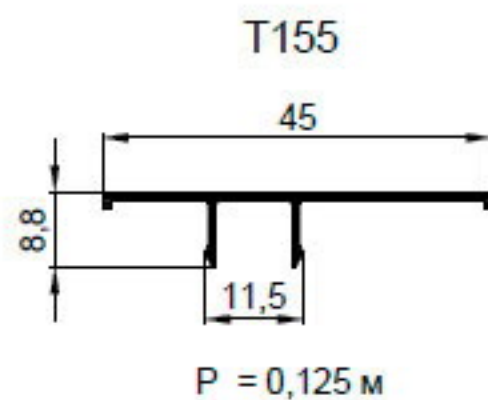
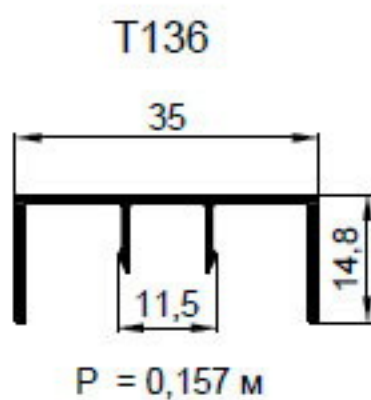
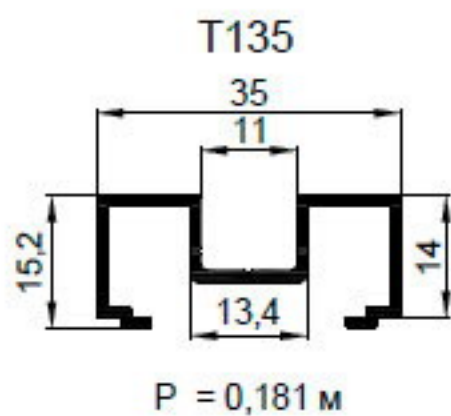
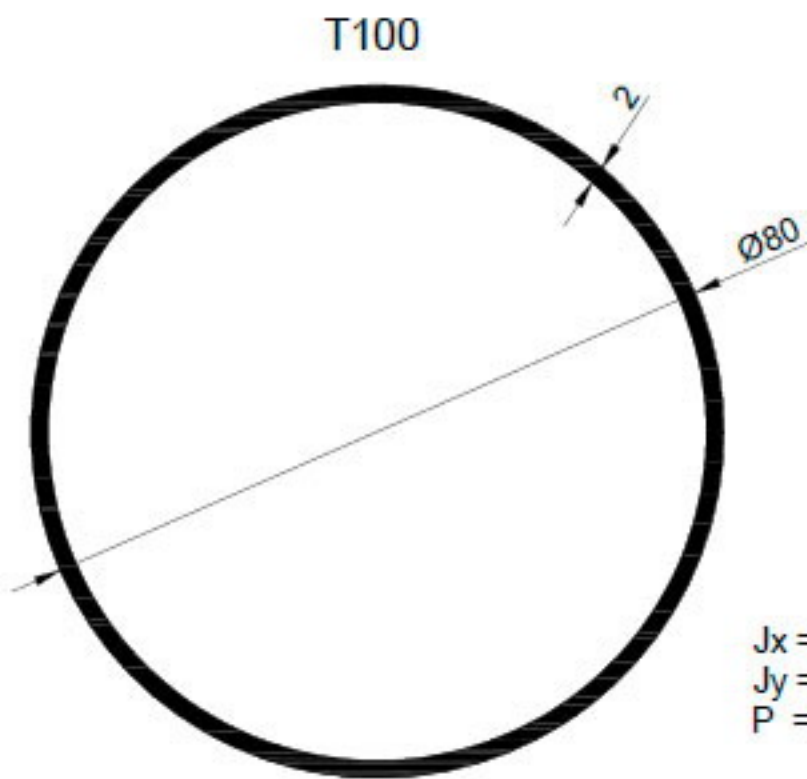


3 Сечения алюминиевых профилей

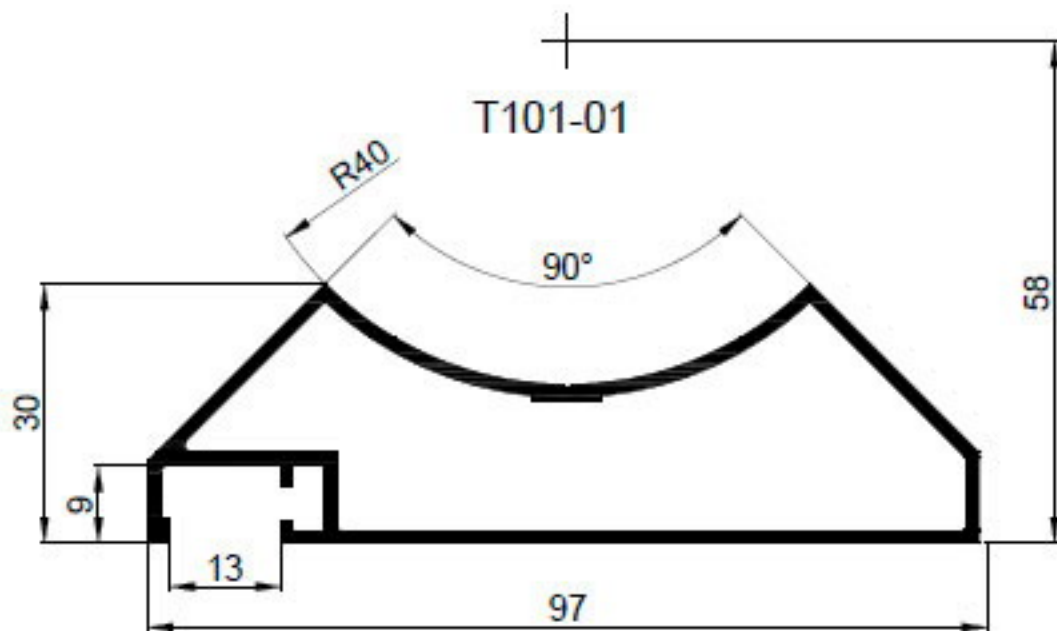
Обозначения:
 J_x, J_y - моменты инерции, см^4
 P - наружный периметр, м



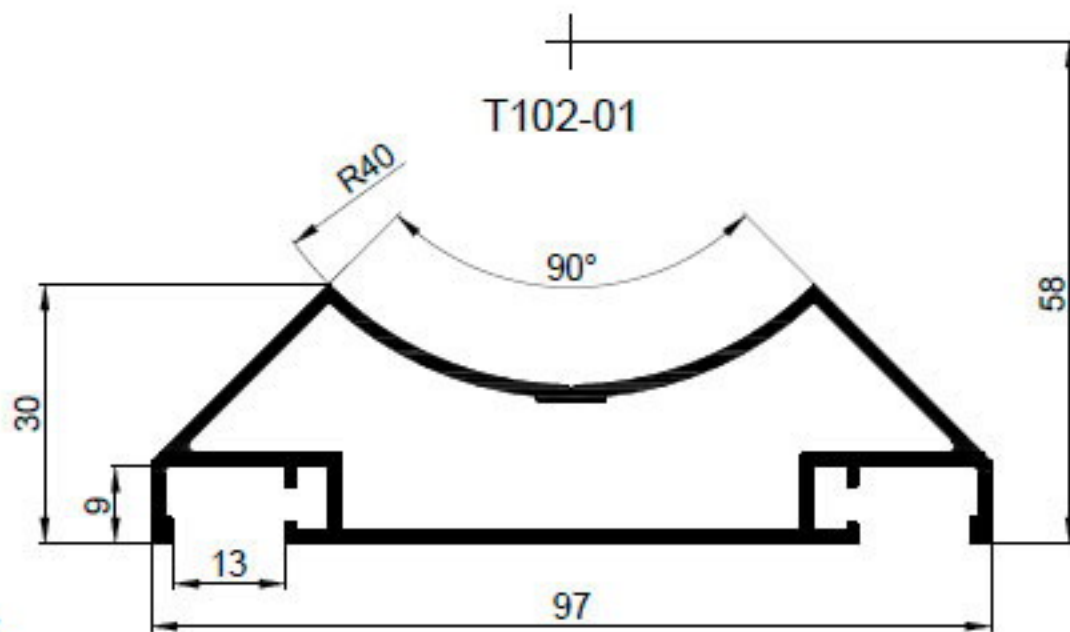




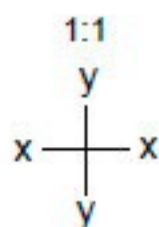
$J_x = 37,3 \text{ cm}^4$
 $J_y = 37,3 \text{ cm}^4$
 $P = 0,251 \text{ m}$

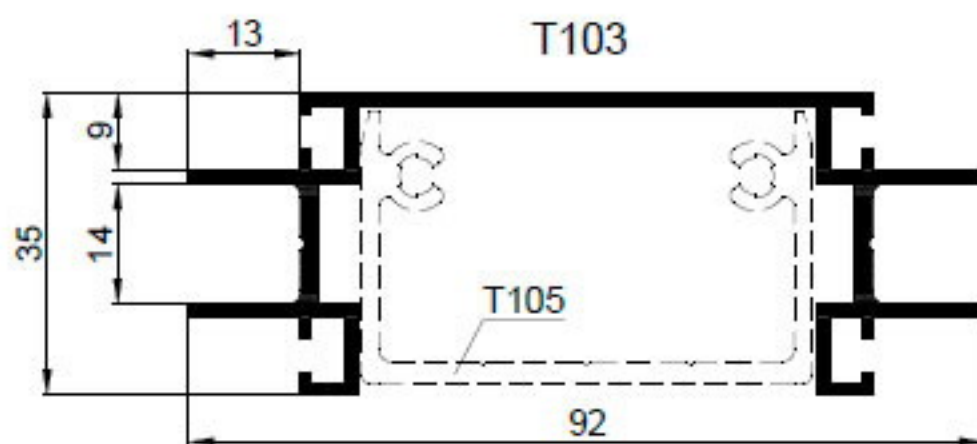


$J_x = 3,4 \text{ cm}^4$
 $J_y = 33,5 \text{ cm}^4$
 $P = 0,271 \text{ m}$



$J_x = 3,3 \text{ cm}^4$
 $J_y = 34,0 \text{ cm}^4$
 $P = 0,308 \text{ m}$

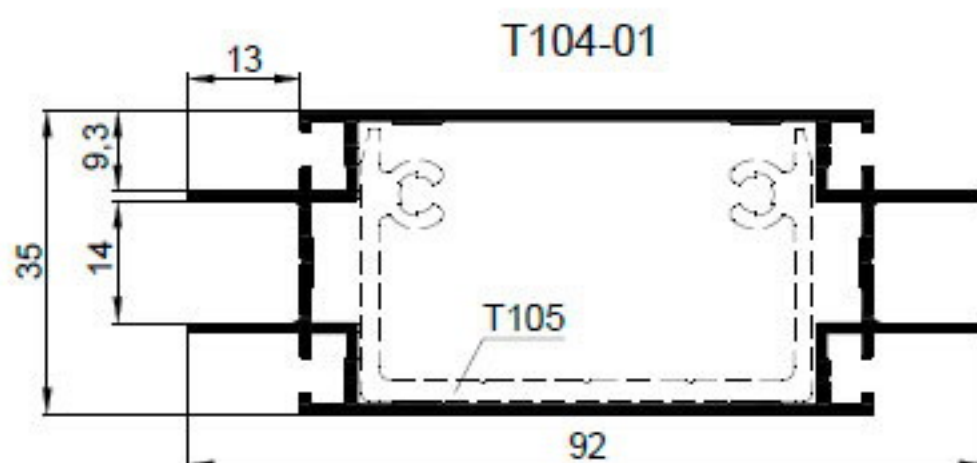




$$J_x = 4,6 \text{ cm}^4$$

$$J_y = 32,0 \text{ cm}^4$$

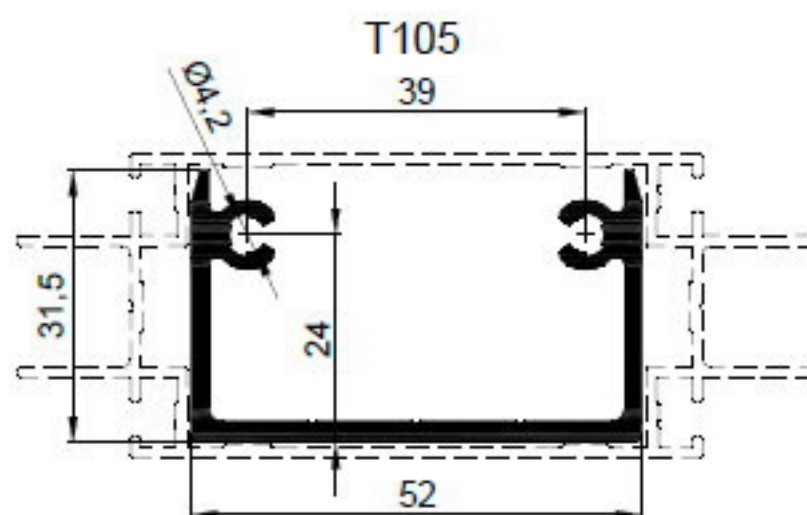
$$P = 0,452 \text{ m}$$



$$J_x = 6,3 \text{ cm}^4$$

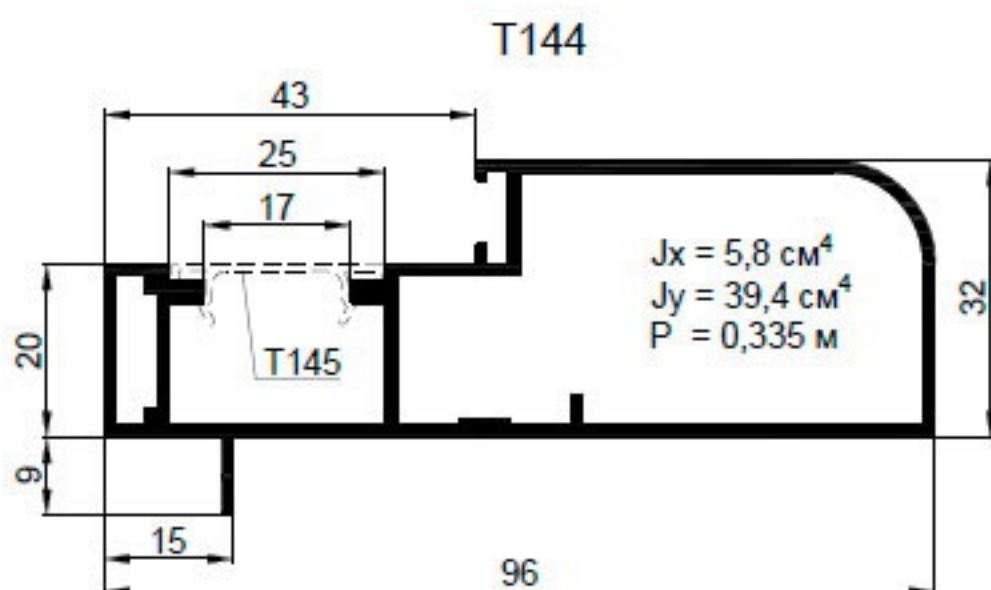
$$J_y = 27,9 \text{ cm}^4$$

$$P = 0,376 \text{ m}$$



$$J_x = 3,4 \text{ cm}^4$$

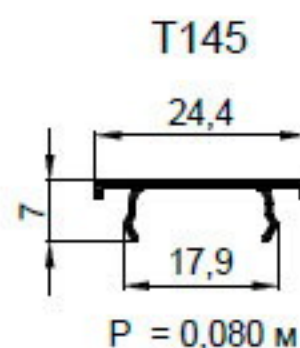
$$J_y = 12,7 \text{ cm}^4$$



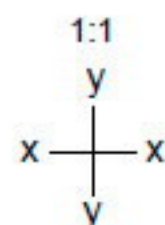
$$J_x = 5,8 \text{ cm}^4$$

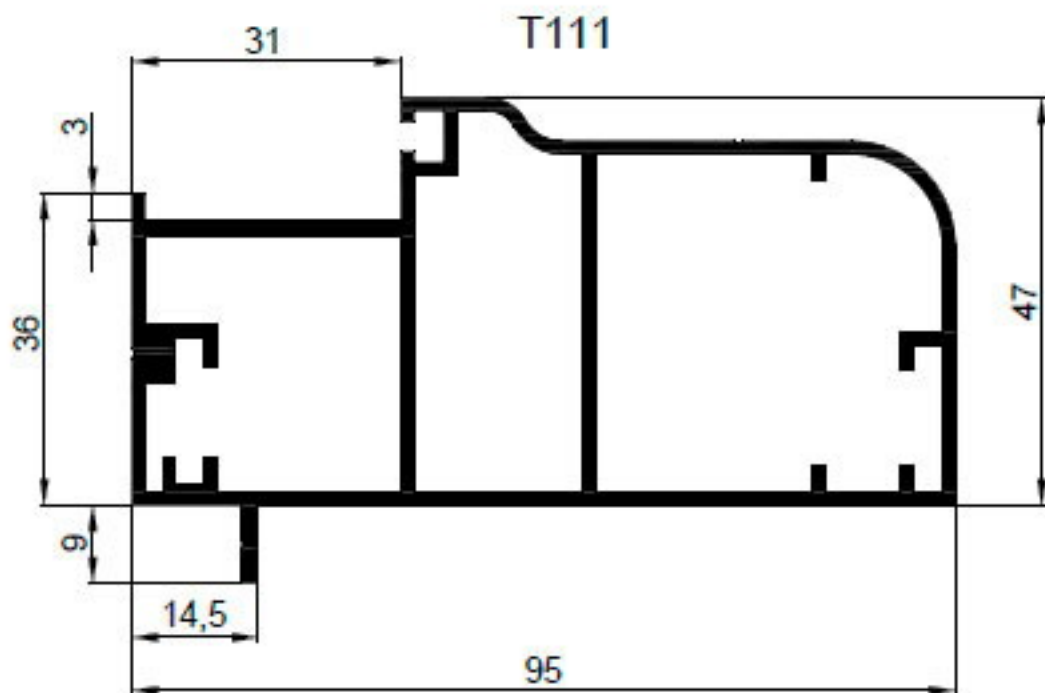
$$J_y = 39,4 \text{ cm}^4$$

$$P = 0,335 \text{ m}$$



$$P = 0,080 \text{ m}$$

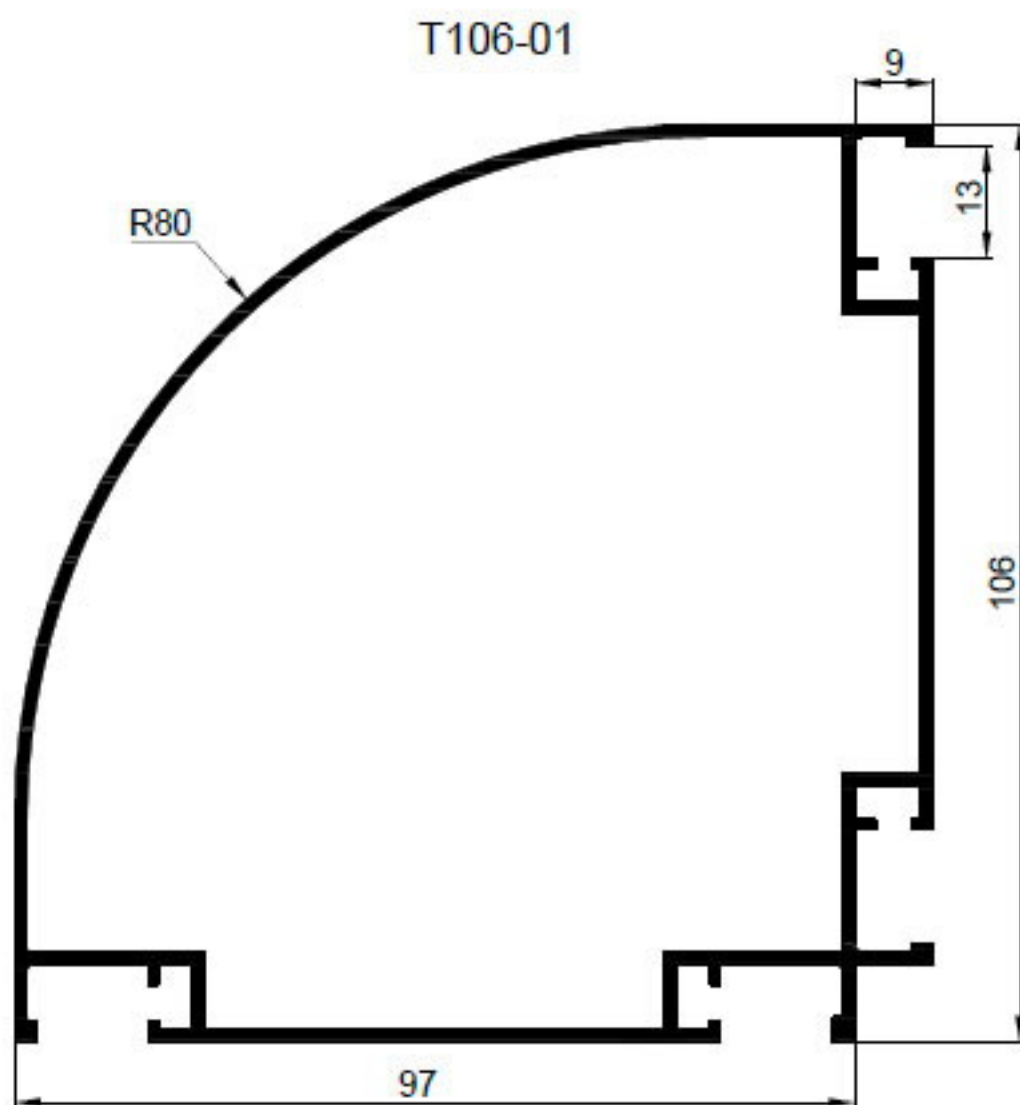




$$J_x = 6,3 \text{ cm}^4$$

$$J_y = 44,6 \text{ cm}^4$$

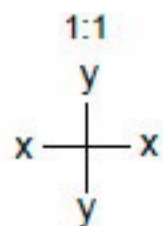
$$S = 0,315 \text{ m}$$

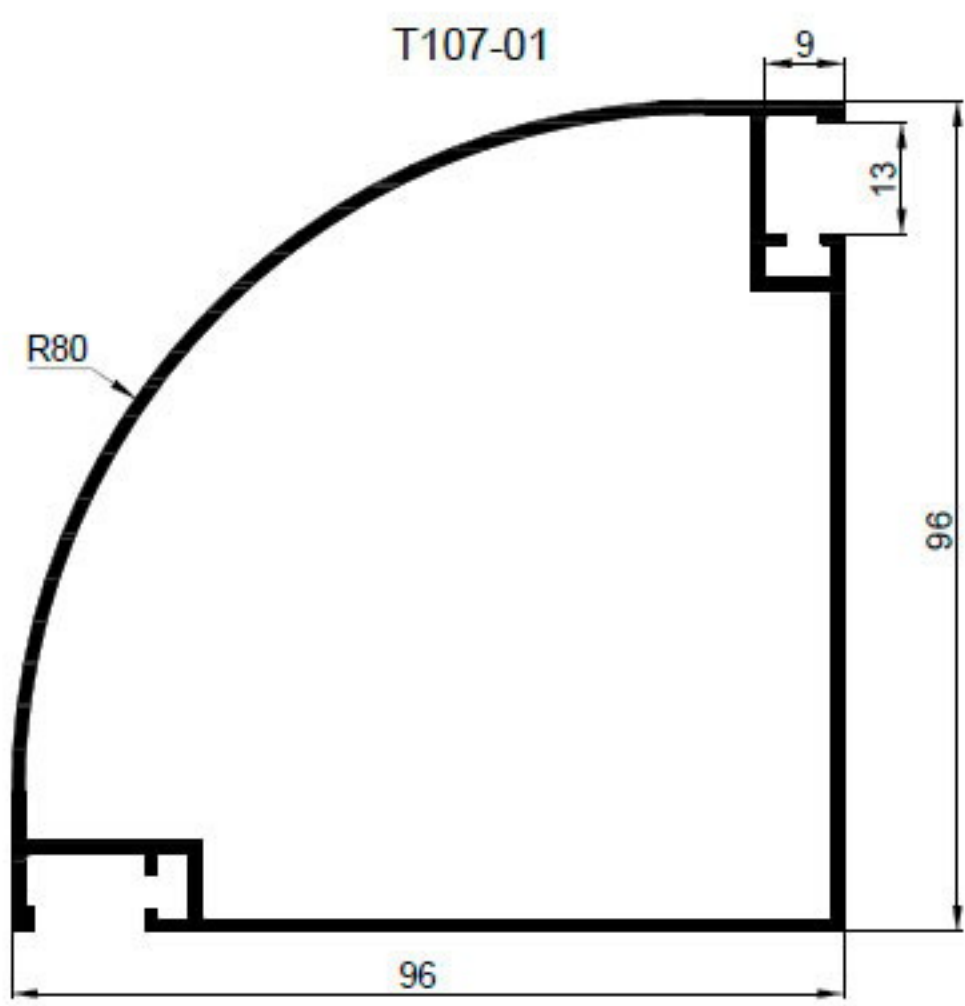


$$J_x = 104,1 \text{ cm}^4$$

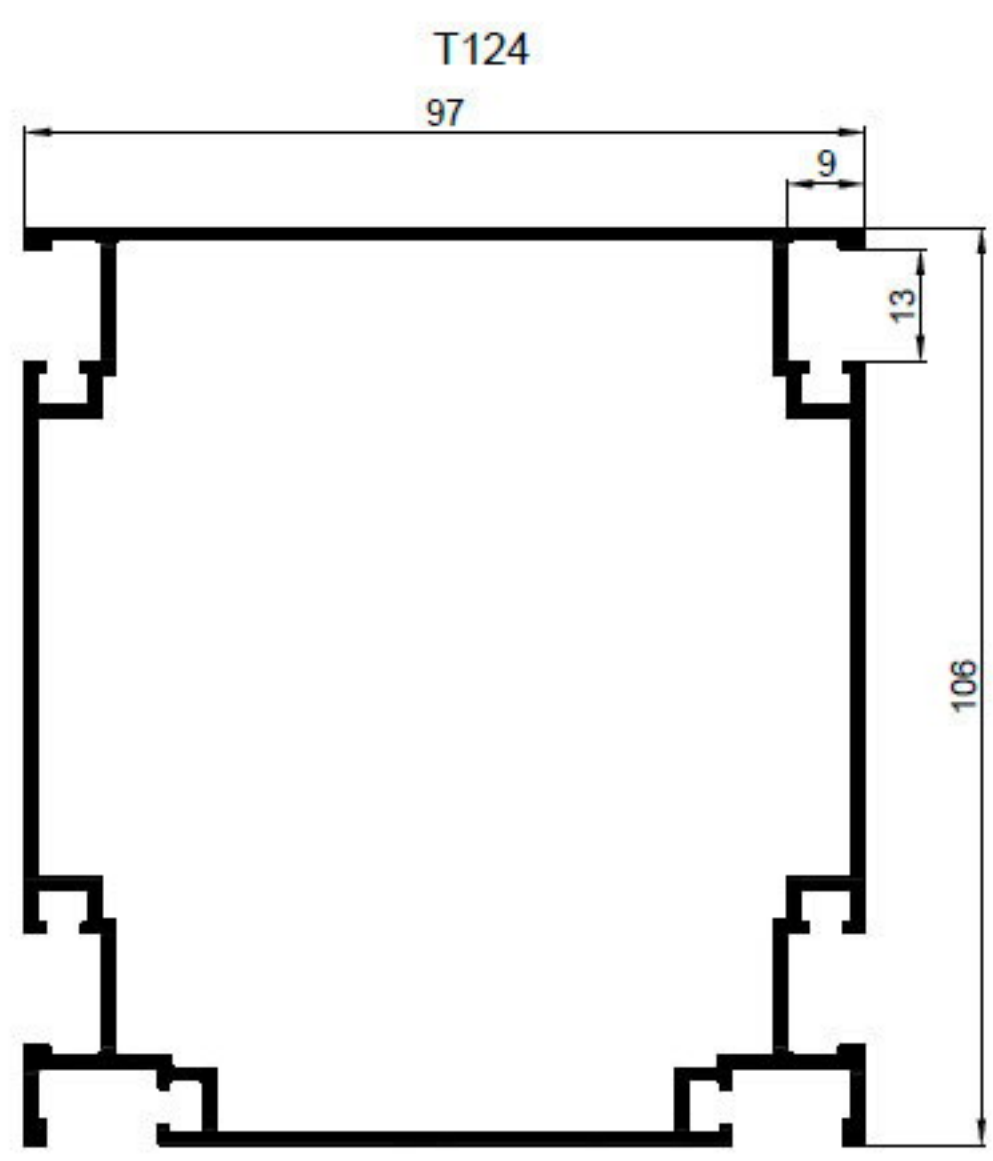
$$J_y = 104,0 \text{ cm}^4$$

$$P = 0,531 \text{ m}$$

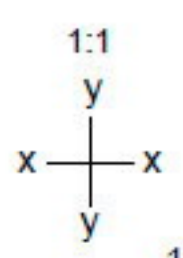


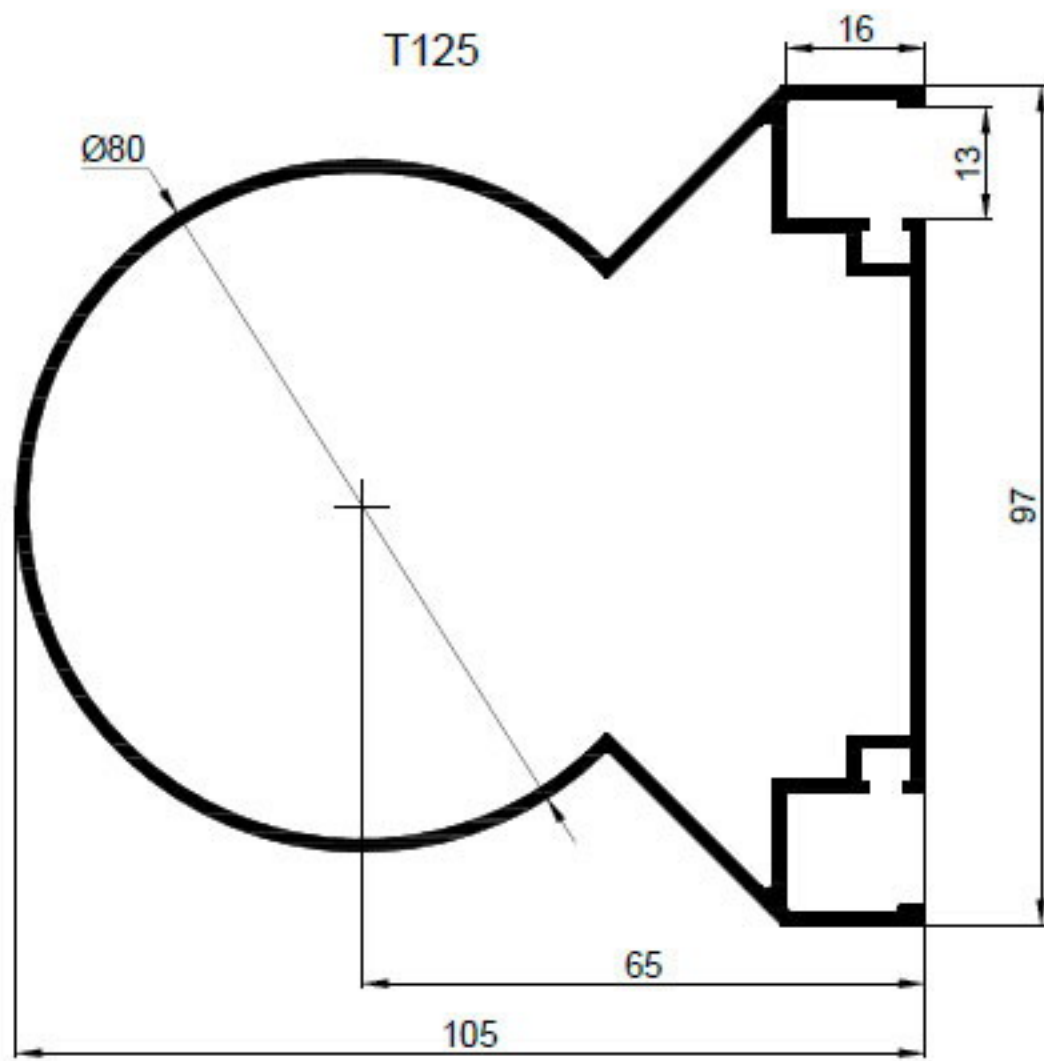


$J_x = 72,6 \text{ cm}^4$
 $J_y = 72,6 \text{ cm}^4$
 $P = 0,421 \text{ m}$



$J_x = 125,6 \text{ cm}^4$
 $J_y = 111,7 \text{ cm}^4$
 $P = 0,601 \text{ m}$

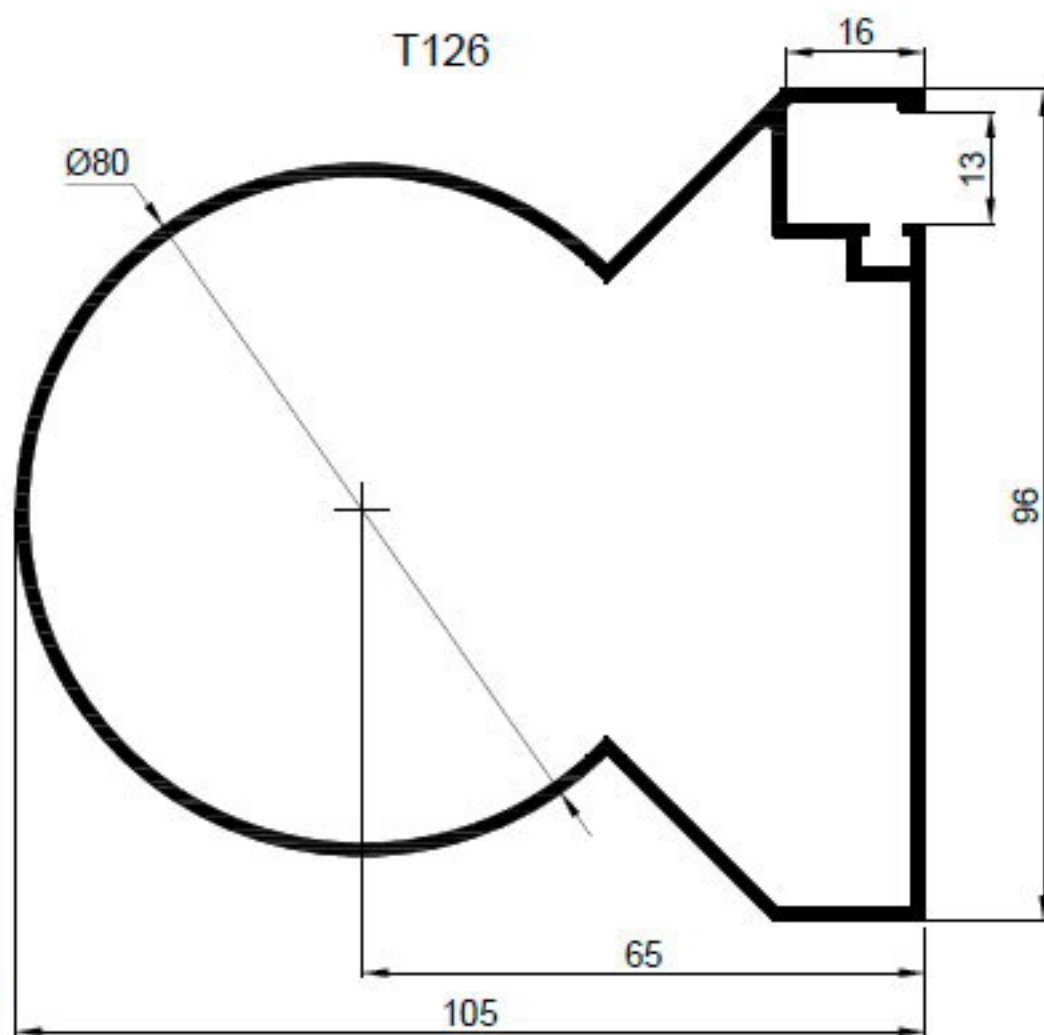




$$J_x = 67,65 \text{ cm}^4$$

$$J_y = 82,75 \text{ cm}^4$$

$$P = 0,475 \text{ m}$$



$$J_x = 63,63 \text{ cm}^4$$

$$J_y = 80,79 \text{ cm}^4$$

$$P = 0,425 \text{ m}$$

